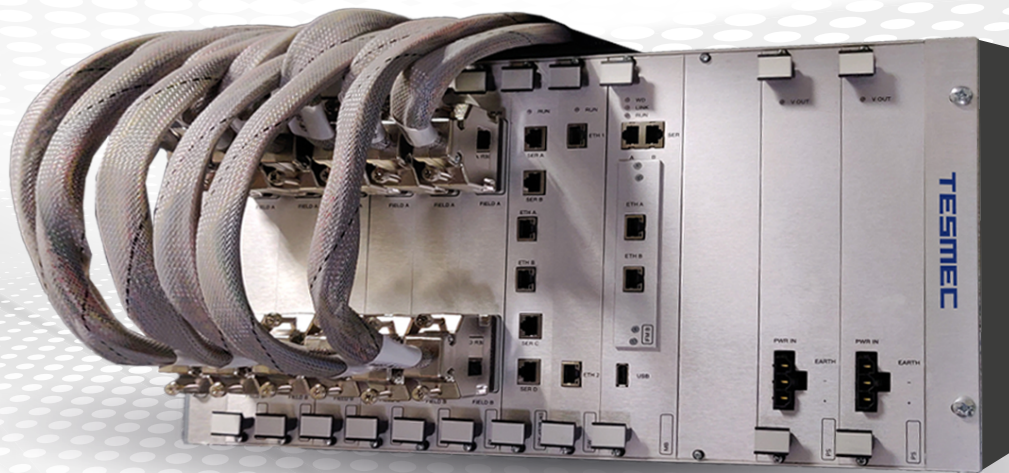


BRTU-2000

REMOTE TERMINAL UNIT



FEATURES AND APPLICATIONS

The increasing trend of distributed generation has created the need of controlling many different sites, where security is a must. For this reason BRTU-2000 designers put a big effort to be compliant to IEC 62351. Thanks to the capability of relocating I/O, the BRTU-2000 can be used in distributed scenario and is a very cost effective and reliable solution.

RTU are very popular not only in high voltage substations but also in the oil, gas and water utilities and in the control of railways and subways. BRTU-2000 can be easily used in these scenarios thanks to its high degree of redundancy and availability. The design of BRTU-2000 has been focused on flexibility, therefore this device can adapt to different kind of industries, from the small private system to the biggest network of power plants.

BRTU-2000 key features:

- Thanks to the careful design it is very easy to integrate new features, software and even hardware to meet every customer special need;
- Each peripheral board of the BRTU-2000 integrates a powerful processor, the main board was designed with an extremely powerful multi-processor architecture;
- Monitoring and debugging the system configuration is very easy with the HMI accessible via webserver or directly from the configuration tool (the only needed thing is a laptop and cable);
- BRTU-2000 supports not only modern protocols (like IEC-61850) but also a large number of older protocol (IEC-60870, Modbus, etc) to ensure the capability to interface all legacy devices with no effort and a very reduced investment.

REMOTE TERMINAL UNIT FOR HIGH VOLTAGE NETWORK

Innovative device that acts as unique interface between protection, control, monitoring system and the control centers. It is designed to ensure maximum interoperability among any brand devices of the substations and control centers.



TECHNICAL FEATURES

BRTU-2000

High performance hardware

Reduced number of hardware parts to minimize maintenance and keep operating costs low

Configurable redundancy of critical components (Dual Power Supply, dual Main Board)

Various protocol of network redundancy (RSTP, PRP, HSR)

Plant Database with a (virtually) unlimited number of tags

Supported protocols: IEC 60870-5-101/104, IEC 61850, Modbus

Other protocols upon request

Connection of multiple control center even with different protocols mounted relays), electrically isolated

Synchronization with NTP, PTP/IEEE1588

PLC functions with configuration/development tools compliant with IEC 61131-3

Diagnostic via SNMP MIB and /or TRAPs

Managing/configuring workflow in XML

Optional HMI interface (web or hardware)

Information security according to IEC 62351

Relocation of input/output groups

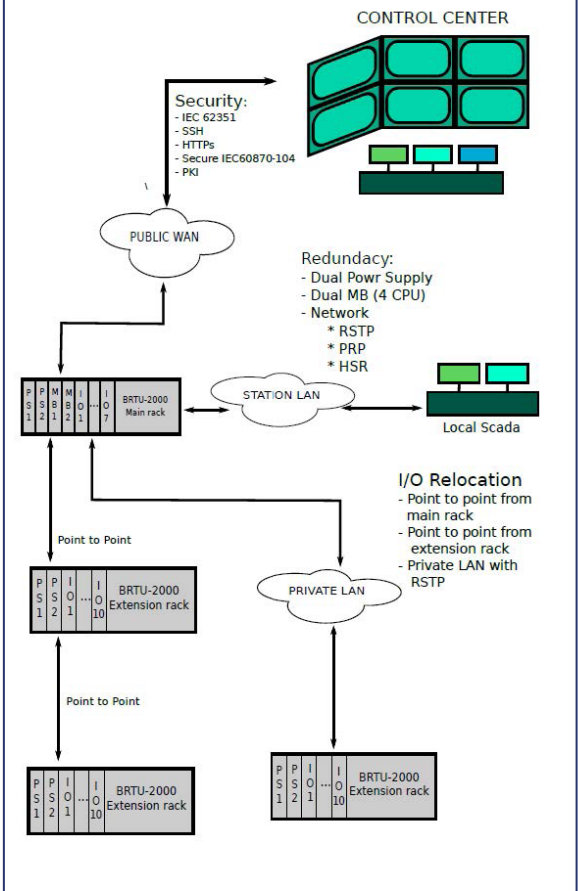
Log and SOE capabilities

4 Power Supply available 24Vdc, 48Vdc, 110Vdc, 220Vdc

Real time clock with backup battery

Optional USB port

Value



TESMEC Automation S.r.l.

Headquarters:

Via Zanica, 17/0

24050 Grassobbio (BG) - Italia

Tel.: +39 035 4232911

Email: automation@tesmec.com

TESMEC

Stay in touch
with us:



tesmec.com